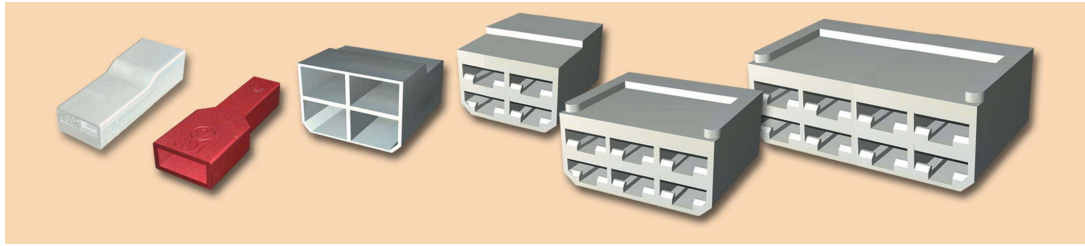
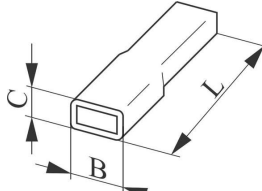
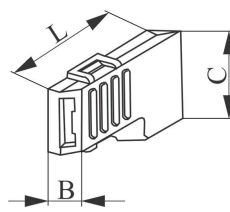
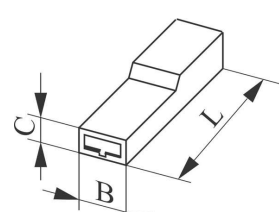
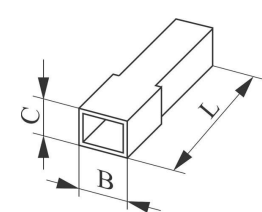
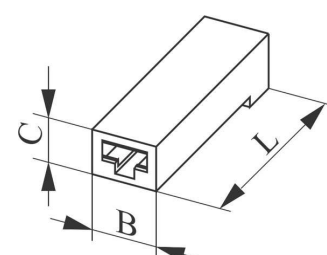
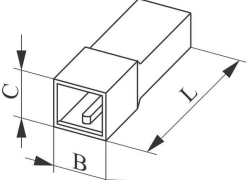
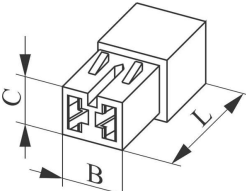
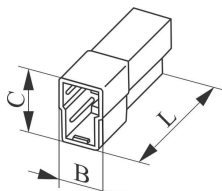
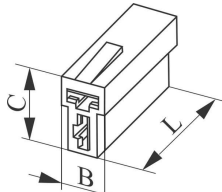
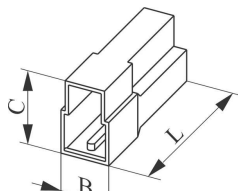
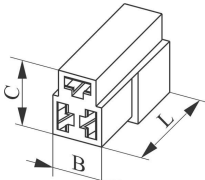
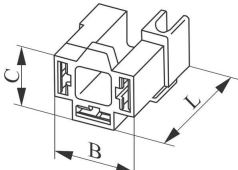
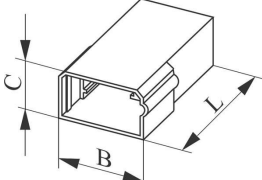
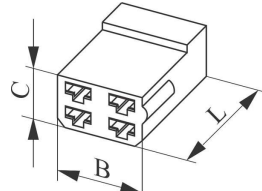
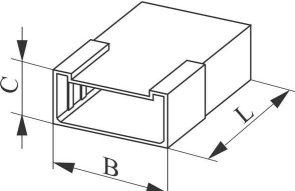
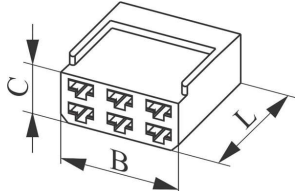
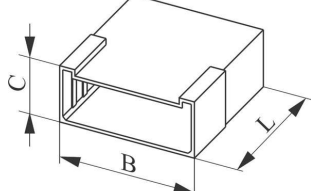
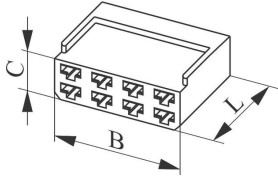
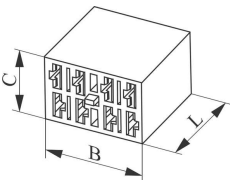


Homesites for push on terminals

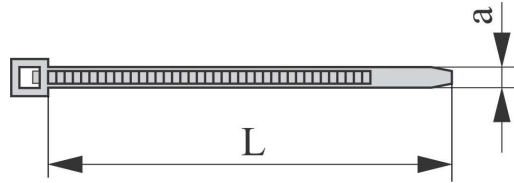
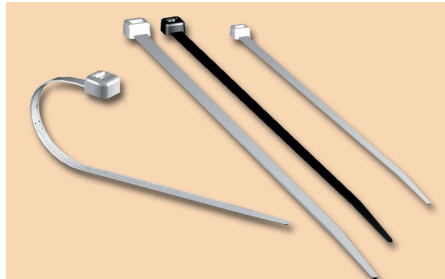


TYPE	Mark	For terminals	Dimensions (mm)		
			B	C	L
Cover 	8001	5011 5012 5013	9	5	23.5
Cover 	80011	5497	4.8	13.6	20
Cover 	8002	5011 5012 5013	9	4.6	25.3
Single pole homesite female 	8003	5021 5022 5023	12.4	9.2	31.8
Single pole homesite male 	8004	5015 5016 5017	10	6.7	24.1

<p>Two pole homesite female</p> 	<p>8041</p>	<p>5021 5022 5023</p>	<p>15.1</p>	<p>13.2</p>	<p>31.8</p>
<p>Two pole homesite male</p> 	<p>80042</p>	<p>5015 5016 5017</p>	<p>13</p>	<p>10</p>	<p>22.9</p>
<p>Two pole T homesite female</p> 	<p>80043</p>	<p>5021 5022 5023</p>	<p>14</p>	<p>19.5</p>	<p>31.5</p>
<p>Two pole T homesite male</p> 	<p>80044</p>	<p>5015 5016 5017</p>	<p>10</p>	<p>16.5</p>	<p>23</p>
<p>Three pole homesite female</p> 	<p>80045</p>	<p>5021 5022 5023</p>	<p>15.2</p>	<p>20</p>	<p>31.8</p>
<p>Three pole homesit male</p> 	<p>80046</p>	<p>5015 5016 5017</p>	<p>13</p>	<p>18</p>	<p>22</p>
<p>Three pole homesit</p> 	<p>80047</p>	<p>5496 5498</p>	<p>26.6</p>	<p>23.8</p>	<p>20.6</p>

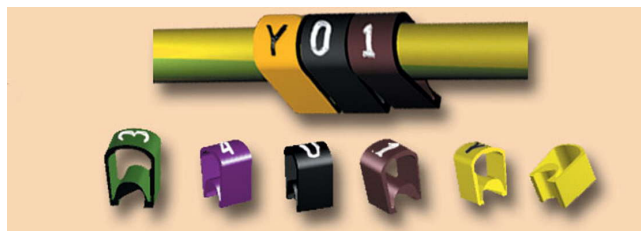
<p>Four pole homesite female</p> 	<p>8005</p>	<p>5021 5022 5023</p>	<p>26.5</p>	<p>15.2</p>	<p>32.5</p>
<p>Four pole homesite male</p> 	<p>8006</p>	<p>5015 5016 5017</p>	<p>23.3</p>	<p>15.4</p>	<p>24.1</p>
<p>Six pole homesite female</p> 	<p>8007</p>	<p>5021 5022 5023</p>	<p>31.3</p>	<p>17.8</p>	<p>32.5</p>
<p>Six pole homesite male</p> 	<p>8008</p>	<p>5015 5016 5017</p>	<p>28.5</p>	<p>13.8</p>	<p>24.2</p>
<p>Eight pole homesite female</p> 	<p>8009</p>	<p>5021 5022 5023</p>	<p>40.4</p>	<p>18.5</p>	<p>33</p>
<p>Eight pole hom male</p> 	<p>8010</p>	<p>5015 5016 5017</p>	<p>37.9</p>	<p>13.7</p>	<p>24.1</p>
<p>Eight pole hom male</p> 	<p>80101</p>	<p>5015 5016 5017</p>	<p>32.8</p>	<p>19.5</p>	<p>24.1</p>

Cable ties



Mark	Measure	Length L mm	Width a mm	Maximum cable diameter mm	Minimum tensile strength N
8020	100/2.5	100	2.5	18	80
8021	100/3.6	100	3.6	18	128
80212	140/3.6	140	3.6	35	128
8022	150/3.6	150	3.6	35	128
8023	200/3.6	200	3.6	50	128
8025	150/4.8	150	4.8	35	216
8026	200/4.8	200	4.8	50	216
8027	250/4.8	250	4.8	60	216
8028	300/4.8	300	4.8	76	216
8029	300/7.6	300	7.6	76	530
8030	360/4.8	360	4.8	103	216
8035	385/4.8	385	4.8	110	216
8038	500/4.8	500	4.8	145	216

Letter and number marks for conductors



Mark	TYPE	Cross section of conductor mm ²	Cross section of isolated conductor mm
1101	PA0	0.75-1.5	2.0-3.2
1102	PA1	1.5-4	3.0-4.2

Made of soft PVC material in yellow color with black or any color marks.

Range of marks: alphabet letters, numbers from 0 to 9, +, - and other symbols.