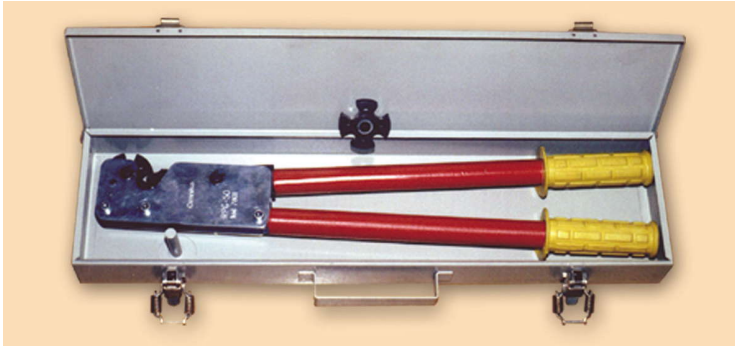
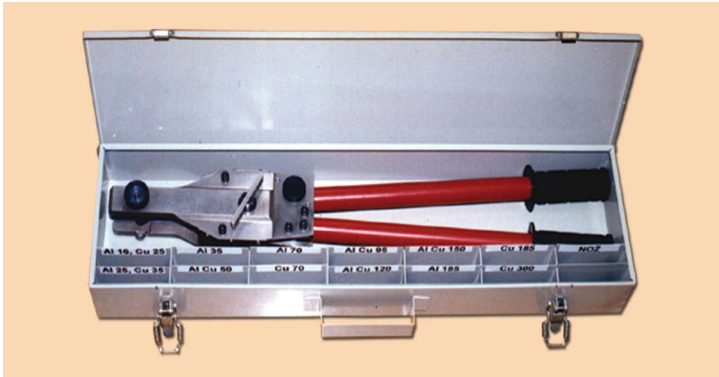


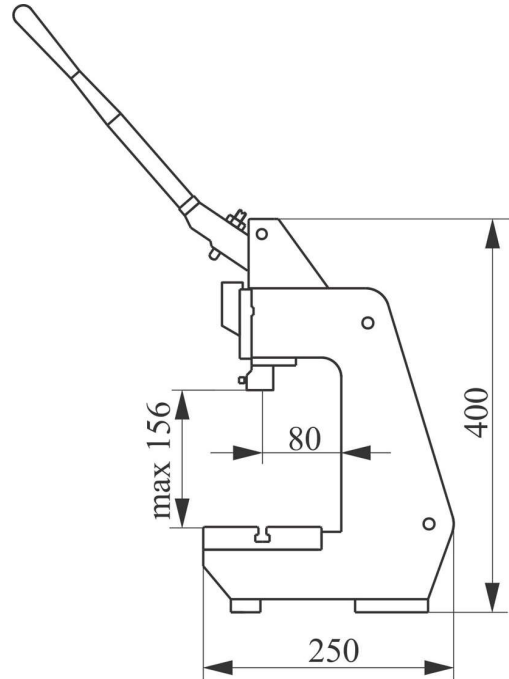
Mechanical crimping tools	
<p>Mechanical crimping tool RPG-50 Kod 7801</p>	<div style="text-align: center;">  </div> <p>Used for squeezing solderless terminals with cross section between 10 and 50mm , DIN 46234 The tool is delivered as follows: two gussets 10-35mm and 16-50mm and metal case.</p> <p>Dimension: 35x100x520mm Weight: 2.5kg</p>
<p>Mechanical crimping tool RPG-240 Kod 7802</p>	<div style="text-align: center;">  </div> <p>Used for squeezing:</p> <ul style="list-style-type: none"> - solderless terminals DIN 46234 with cross section between 16mm and 240mm - Cu Tube shaped solderless terminals with cross section between 16 and 300mm - Al-Cu solderless terminals with cross section between 16 and 240mm with proper gussets <p>Tool is delivered with 8 gussets and a metal case.</p> <p>Dimension: 65x100x630mm Weight: 4.4 kg Težina prese: 4.4kg</p>

Presses on stand

Manual
press on stand

RP-600

Mark 7701

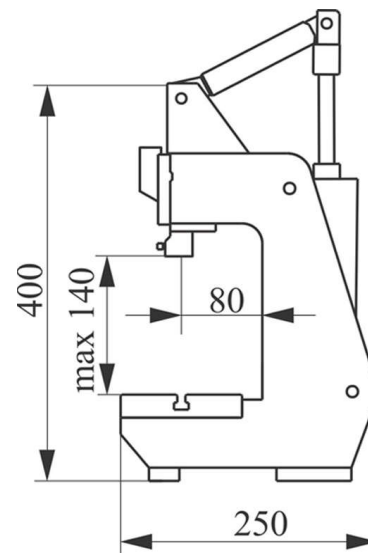
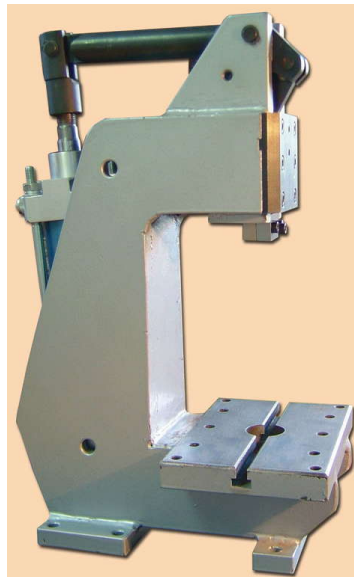


Force F daN	Stand AxB mm	Tools plug- in diameter mm	Weight kg	Working storke mm
700	120x170	Ø10	17	24

Pneumatic
press on stand

PP-1000

Mark 7702



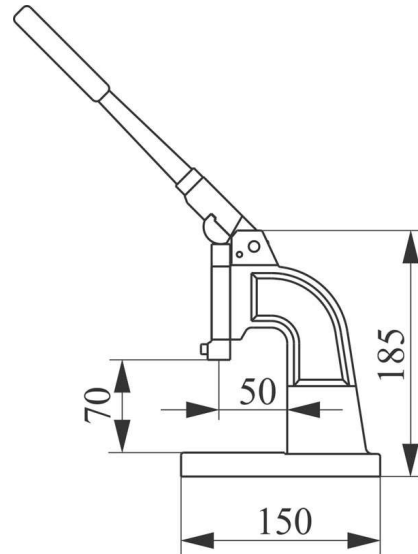
Force F daN	Stand AxB mm	Tools plug- in diameter mm	Weight kg	Working storke mm
1100	120x170	Ø10	21	16

When purchasing a pneumatic press on stand, cylinder 50x110, foot driven sliding valve 5/2 and pneumatic tap are included.

Manual
press on stand

RP-1

Mark 7704

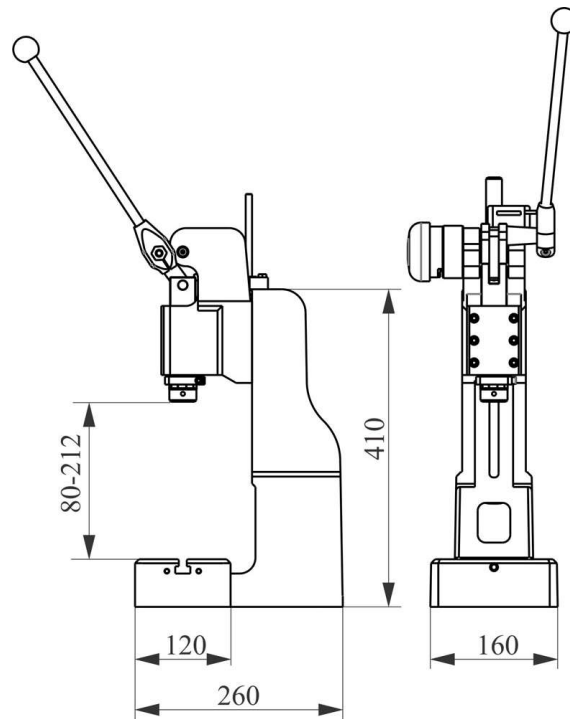
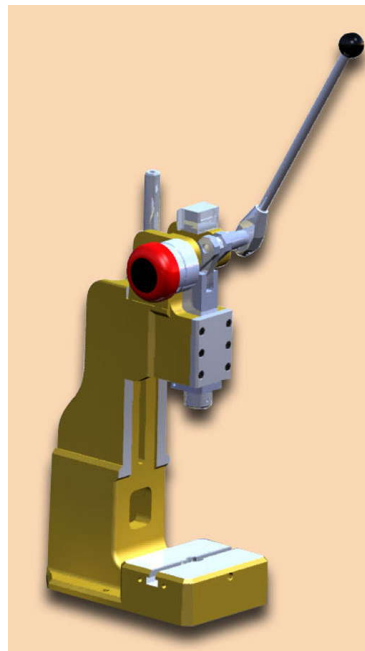


Force F daN	Stand AxB mm	Tools plug- in diametar mm	Weight kg	Working storke mm
200	78x90	Ø8	5	17

Manual
press on stand

SRP-2

Mark 7712

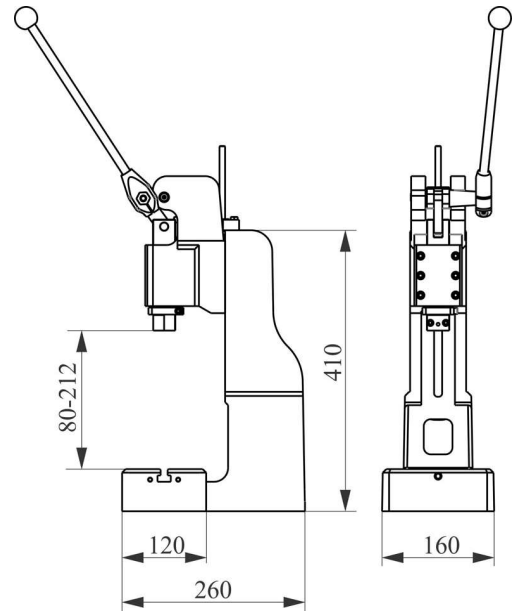


Force F daN	Stand AxB mm	Tools plug- in diametar mm	Weight kg	Working storke mm
1200	120x160	Ø10	30	40

Manual
press on stand

SRP-1

Mark 7711

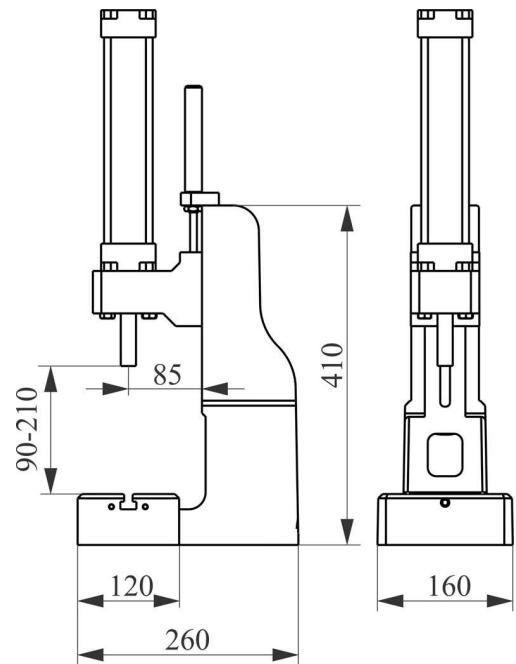
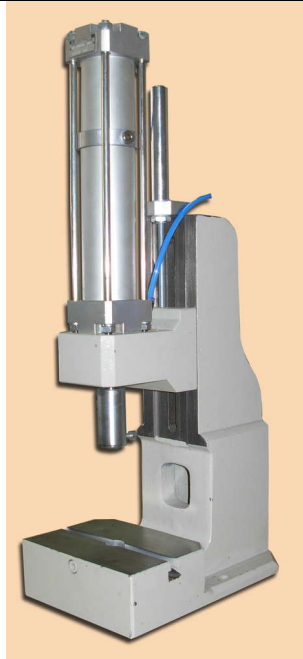


Force F daN	Stand AxB mm	Tools plug- in diametar mm	Weight kg	Working storke mm
1200	120x160	Ø10	29	40

Pneumatic
press on stand

SPP-4

Mark 7714



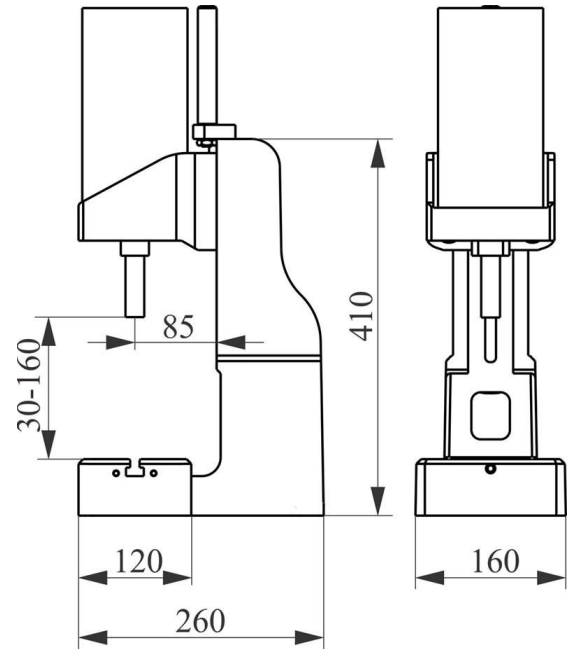
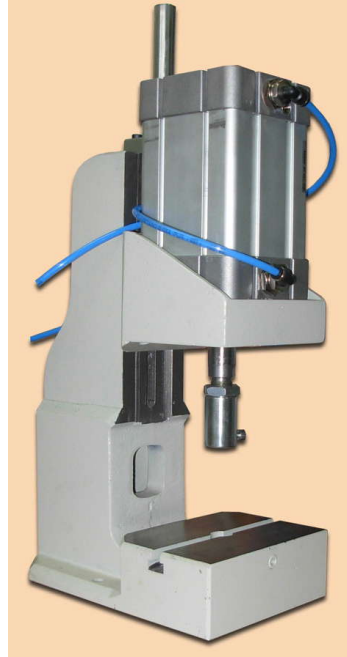
Force F daN	Stand AxB mm	Tools plug- in diametar mm	Weight kg	Working storke mm
2500	120x160	Ø10		100

When purchasing a pneumatic press on stand, cylinder 50x110, foot driven sliding valve 5/2 and pneumatic tap are included.

Pneumatic
press on stand

SPP-3

Mark 7713



Force F daN	Stand AxB mm	Tools plug- in diameter mm	Weight kg	Working stroke mm
500	120x160	Ø10		50

When purchasing a pneumatic press on stand, cylinder 50x110, foot driven sliding valve 5/2 and pneumatic tap are included.