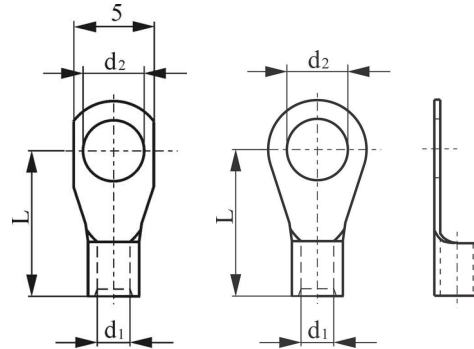


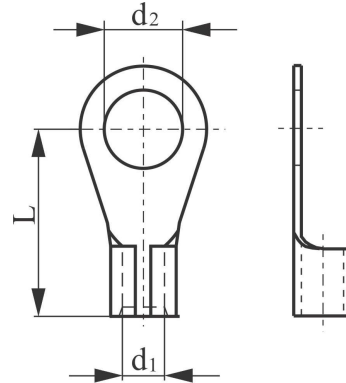
Solderless terminals-Ringtype DIN 46234 A
Material: E-Cu
Protection: tin-plated



Mark	Cross section of conductor mm ²	Measure mm-mm ²	d ₁ mm	d ₂ mm	L mm	Packaging pieces
3990	0.5 - 1.0	2.5 - 1	1.6	2.7	11	100 1000
39901		2.5-1narrowed	1.6	2.7	11	
3991		3 - 1	1.6	3.2	11	
39911		3-1 narrowed	1.6	3.2	11	
3992		3.5 - 1	1.6	3.7	11	
3993		4 - 1	1.6	4.3	12	
3994		5 - 1	1.6	5.3	12	
4005	1.5 - 2.5	3 - 2.5	2.3	3.2	11	100 1000
4006		4 - 2.5	2.3	4.3	12	
4007		5 - 2.5	2.3	5.3	14	
4008		6 - 2.5	2.3	6.5	16	
4009		8 - 2.5	2.3	8.4	17	
4010	4	4 - 4	3	4.3	13	100 1000
4011		5 - 4	3	5.3	15	
4012		6 - 4	3	6.5	16	
4013		8 - 4	3	8.4	18	
4014		10 - 4	3	10.5	20	
4015	6	4 - 6	3.6	4.3	14	100 1000
4016		5 - 6	3.6	5.3	15	
4017		6 - 6	3.6	6.5	16	
4018		8 - 6	3.6	8.4	19	
4019		10 - 6	3.6	10.5	21	
4020	10	5 - 10	4.5	5.3	16	100 1000
4021		6 - 10	4.5	6.5	17	
4022		8 - 10	4.5	8.4	20	
4023		10 - 10	4.5	10.5	21	
4024		12 - 10	4.5	13	23	
4025	16	5 - 16	5.8	5.3	20	100
4026		6 - 16	5.8	6.5	20	
4027		8 - 16	5.8	8.4	22	
4028		10 - 16	5.8	10.5	24	
4029		12 - 16	5.8	13	26	
40292		14 - 16	5.8	15		

40294		16 - 16	5.8	17		
40296		20 - 16	5.8	21		
4030	25	5 - 25	7.5	5.3	25	100
4031		6 - 25	7.5	6.5	25	
4032		8 - 25	7.5	8.4	25	
4033		10 - 25	7.5	10.5	26	
4034		12 - 25	7.5	13	31	
4035		16 - 25	7.5	17	35	
4036	35	6 - 35	9	6.5	26	100
4037		8 - 35	9	8.4	26	
4038		10 - 35	9	10.5	27	
4039		12 - 35	9	13	31	
4040		16 - 35	9	17	36	
4041	50	6 - 50	1	6.5	34	100
4042		8 - 50	11	8.4	34	
4043		10 - 50	11	10.5	34	
4044		12 - 50	11	13	36	
4045		16 - 50	11	17	40	
4046	70	6 - 70	13	6.5	38	100
4047		8 - 70	13	8.4	38	
4048		10 - 70	13	10.5	38	
4049		12 - 70	13	13	38	
4050		16 - 70	13	17	40	
4051	95	8 - 95	15	8.4	42	50
4052		10 - 95	15	10.5	42	
4053		12 - 95	15	13	42	
4054		16 - 95	15	17	44	
4055	120	8 - 120	16.5	8.4	44	50
4056		10 - 120	16.5	140.5	44	
4057		12 - 120	16.5	13	44	
4058		16 - 120	16.5	17	48	
4059	150	10 - 150	19	10.5	50	25
4060		12 - 150	19	13	50	
4061		16 - 150	19	17	50	
4062	185	10 - 185	21	10.5	50	25
4063		12 - 185	21	13	50	
40631		14 - 185	21	15	50	
4064		16 - 185	21	17	50	
4065	240	10 - 240	23.5	10.5	56	25
4066		12 - 240	23.5	13	56	
4067		16 - 240	23.5	17	56	

Solder tags-Ringtype-DIN 46211 A
Material: E-Cu
Protection: tin-plated



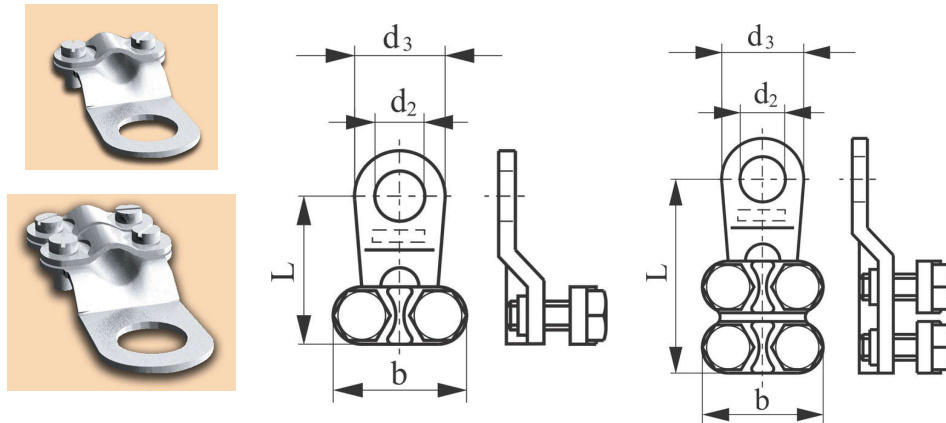
Mark	Cross section of conductor mm ²	Measure mm-mm ²	d ₁ mm	d ₂ mm	L mm	Packaging pieces
2001	0.5 - 1.0	4 - 1	1.4	4.3	11.5	100
2002		5 - 1	1.4	5.3	13	1000
2003	1.5	4 - 1.5	1.8	4.3	12.5	100
2004		5 - 1.5	1.8	5.3	14	1000
2005	2.5	4 - 2.5	2.3	4.3	14.5	100 1000
2006		5 - 2.5	2.3	5.3	16	
2007		6 - 2.5	2.3	6.5	17	
2008		8 - 2.5	2.3	8.4	20	
2009	4	4 - 4	2.8	4.3	16.5	100 1000
2010		5 - 4	2.8	5.3	17	
2011		6 - 4	2.8	6.5	17.5	
2012		8 - 4	2.8	8.4	21.5	
2013		10 - 4	2.8	10.5	22.5	
2014	6	5 - 6	3.4	5.3	18	100 1000
2015		6 - 6	3.4	6.5	19	
2016		8 - 6	3.4	8.4	23	
2017		10 - 6	3.4	10.5	24	
20171		12 - 6	3.4	13	24	
2018	10	5 - 10	4.3	5.3	19	100 1000
2019		6 - 10	4.3	6.5	21	
2020		8 - 10	4.3	8.4	24	
2021		10 - 10	4.3	10.5	26	
20212		12 - 10	4.3	13	26	
20220	16	4 - 16	5.4	6.5	24	100
2022		6 - 16	5.4	6.5	24	
2023		8 - 16	5.4	8.4	27	
2024		10 - 16	5.4	10.5	29	
20241		12 - 16	5.4	13	29	
20242		14 - 16	5.4	15	29	
2025		6 - 25	6.8	6.5	27	
2026		8 - 25	6.8	8.4	30	

2027	25	10 - 25	6.8	10.5	32	100
2028		12 - 25	6.8	13	35	
2029	35	8 - 35	8.2	6.5	33	100
2030		10 - 35	8.2	10.5	35	
2031		12 - 35	8.2	13	40	
2032	50	8 - 50	9.5	8.4	36	100
2033		10 - 50	9.5	10.5	38	
2034		12 - 50	9.5	13	41	
2035	70	10 - 70	11.2	10.5	44	100
2036		12 - 70	11.2	13	3547	
2037		16 - 70	11.2	17	2650	
2038	95	10 - 95	13.5	10.5	44	50
2039		12 - 95	13.5	13	47	
2040		16 - 95	13.5	17	50	
2041	120	12 - 120	15	13	53	50
2042		16 - 120	15	17	56	

Punched-clamp cable-lugs DIN 46227

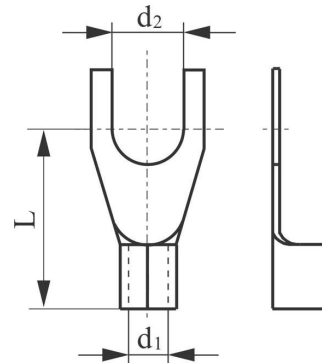
Material: E-Cu

Protection: tin-plated



Mark	Cross section of conductor mm ²	Measure mm-mm ²	d ₂ mm	d ₃ mm	b mm	L mm
4130	10	6 - 10	6.5	15	20.5	27
4131	16	6 - 16	6.5	15	25	30
41312	16	8 - 16	8.5	15	25	30
4132	25	8 - 25	8.5	15	27	35
4133	35	8 - 35	8.5	19	28	37
4134	50	8 - 50	8.5	19	28	48
41341	50	10 - 50	10.5	19	28	48
4135	70	10 - 70	10.5	24	31.5	52
4136	95	12 - 95	13	24	32	57
4137	120	12 - 120	13	24	40	60
4138	150	16 - 150	17	30	42	65

Solderless terminals-spadetype DIN 46234 C
Material: E-Cu
Protection: tin-plated



Mark	Cross section of conductor mm ²	Measure mm-mm ²	d ₁ mm	d ₂ mm	L mm	Packaging pieces
2151	0.5 - 1	3 - 1	1.8	3.2	10.5	100 1000
2152		4 - 1	1.8	4.3	12.0	
2153		5 - 1	1.8	5.3	13.5	
2154		6 - 1	1.8	6.5	15.5	
2155	1.5 - 2.5	3 - 2.5	2.3	3.2	10.5	100 1000
2156		4 - 2.5	2.3	4.3	11.5	
2157		5 - 2.5	2.3	5.3	14.5	
2158		6 - 2.5	2.3	6.5	16.0	
2159	2.5 - 6	4 - 6	3.6	4.3	14.0	100 1000
2160		5 - 6	3.6	5.3	15.0	
2161		6 - 6	3.6	6.5	16.5	
2162		8 - 6	3.6	8.4	19.5	
2163		10 - 6	3.6	10.5	21.0	